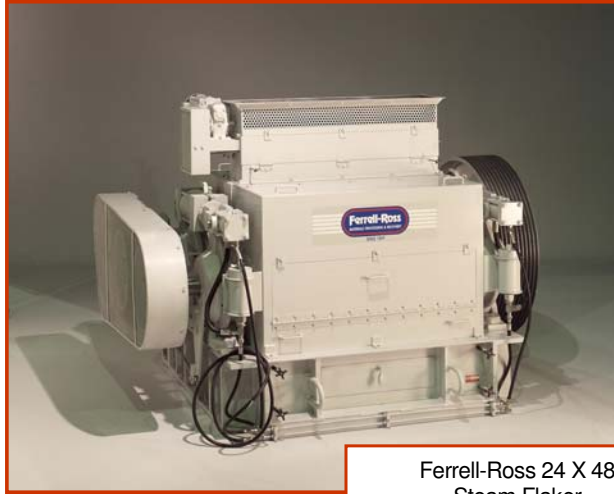


# The Ferrell-Ross Flaking Mills



Ferrell-Ross 24 X 48  
Steam Flaker

## Available in:

- 18 X 36
- 20 X 42
- 24 X 48
- 24 X 56
- 28 X 56
- 32 X 68

## Applications:

- Oil Seed Flaking
- Steam Flaking
- Cereal Flaking
- Size Reduction
- Recycling
- Oat Crimping

## Features:

- pair of chilled cast iron rolls
- rugged base plate of 1" steel weldment
- upper housing of 1/4" plate steel
- double row spherical bearings
- heavy-duty V-belt differential drive
- From 75 to 150 HP
- air / hydraulic pump
- enclosed guards
- optional front roll removal

- automatic open and close rolls
- positive stops on roll centerline
- nip chute feeds material into roll nip point
- roll scrapers
- installation & startup attended by factory technician
- choice of vibratory, roll feeder or pin feeder
- remote grease package
- optional roll pre-heater
- optional dual drives

**Ferrell-Ross**  
MATERIALS PROCESSING & RECOVERY

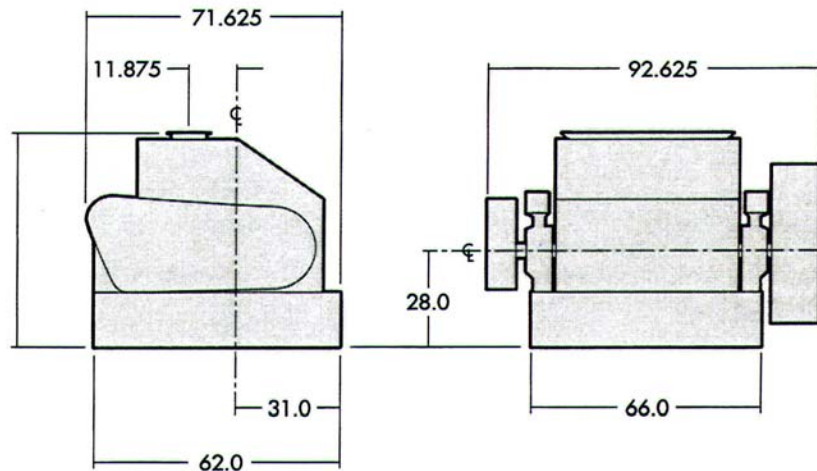
1440 SOUTH ADAMS STREET, BLUFFTON, IN 46714 USA (260) 824-3400 (800) 248-8318 FAX (260) 824-5463  
[www.atferrell.com](http://www.atferrell.com) [info@atferrell.com](mailto:info@atferrell.com)

# The Ferrell-Ross 24x48 Oil Seed Flaking Mill

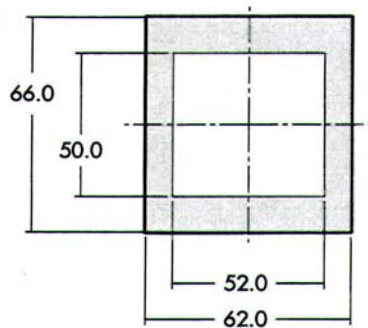
## Specifications

● Weight	approx. 19,000lbs.	● Horsepower	75 or 100
● Roll Speed	1866 FPM	● Roll Pressure	68,000 PSI
● Journals	high quality steel	● Roll Base	1" steel weldment
● Differential	1.05:1 180 wrap	● Upper Housing	11 guage
● Roll Diameter	24"	● Journal at Bearing	5 15/16"
● Roll RPM	297	● Journal at Roll Face	8 1/2"
● Roll Length	48"		
● Capacity	190-210 TPD (Dependent of Product)		
● Hydraulic System	air/hydraulic pump, air supply	4.5 FPM @ 100 PSI	

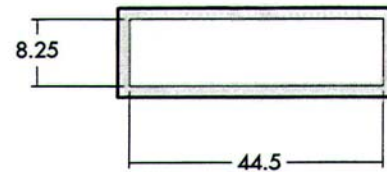
### Dimensions (inches)



### Floor plate detail



### Inlet detail



**Ferrell-Ross**  
MATERIALS PROCESSING & RECOVERY

1440 SOUTH ADAMS STREET, BLUFFTON, IN 46714 USA (260) 824-3400 (800) 248-8318 FAX (260) 824-5463  
[www.atferrell.com](http://www.atferrell.com) [info@atferrell.com](mailto:info@atferrell.com)